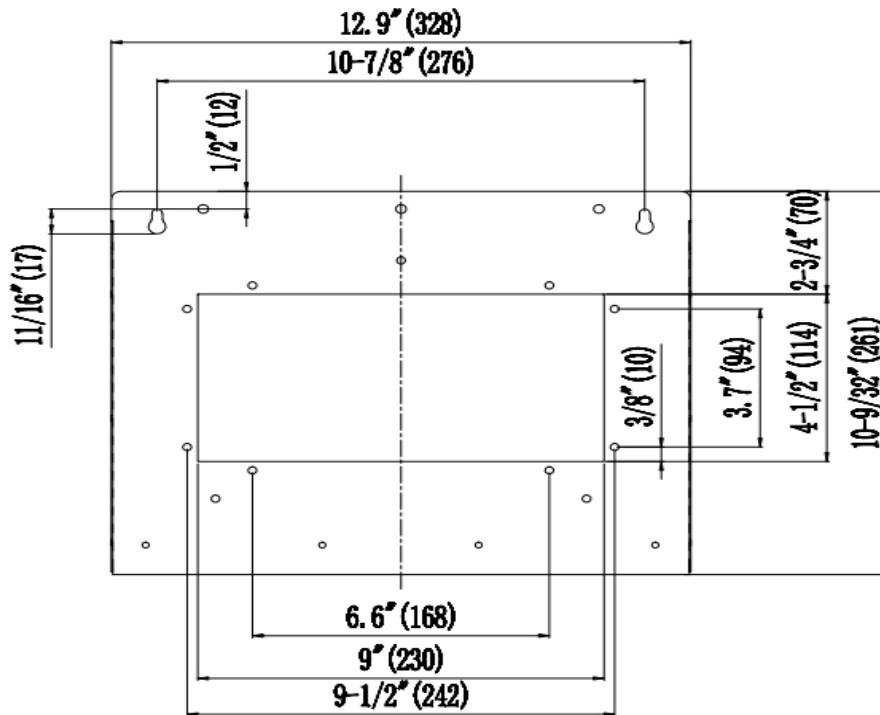
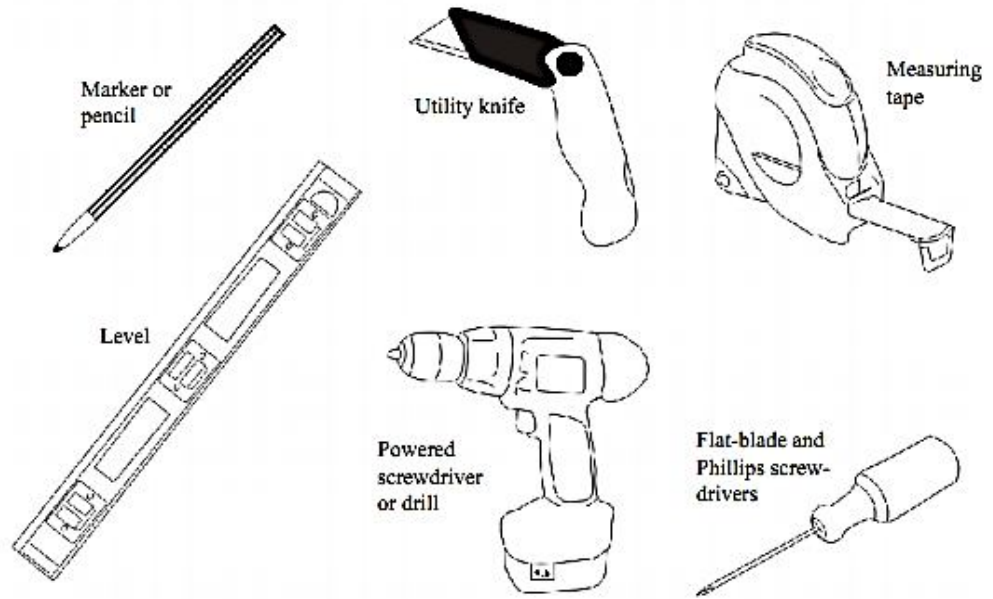
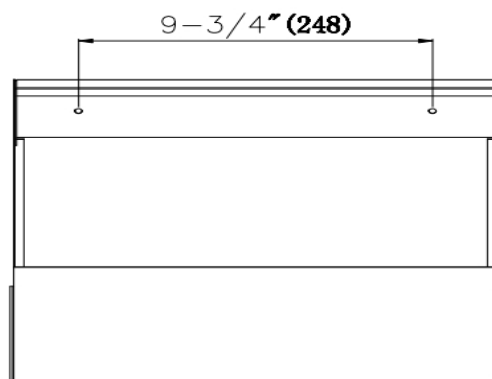
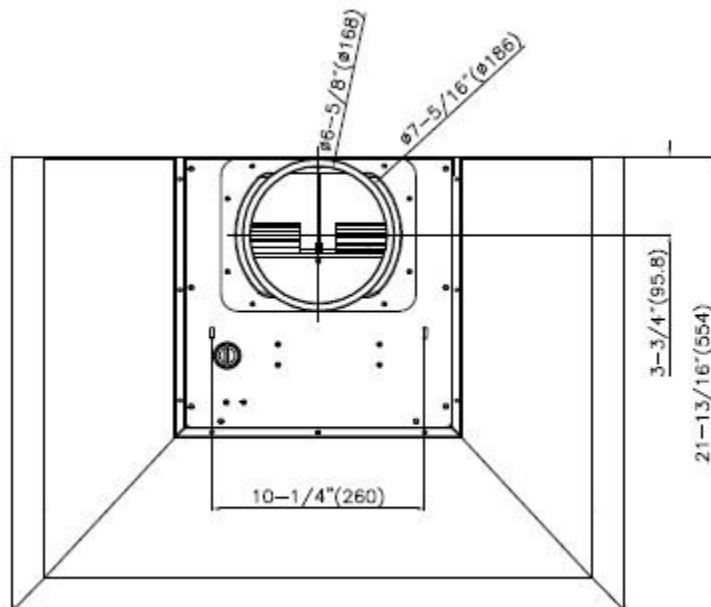
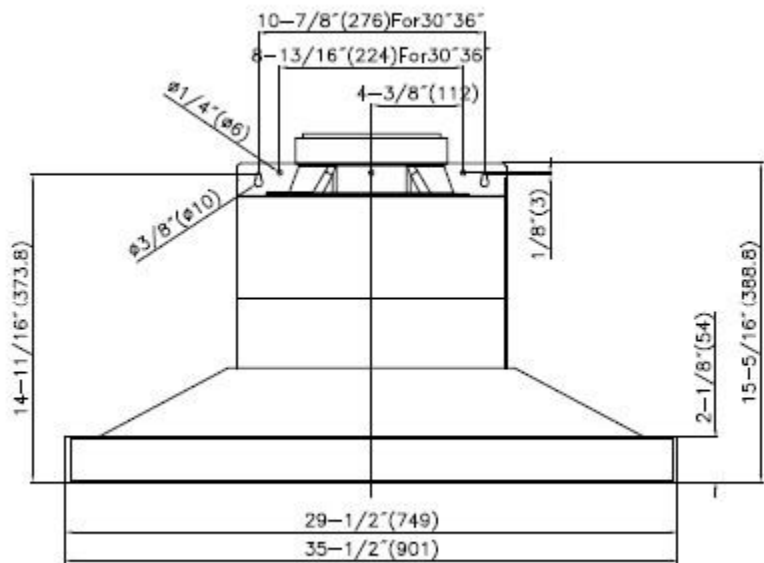
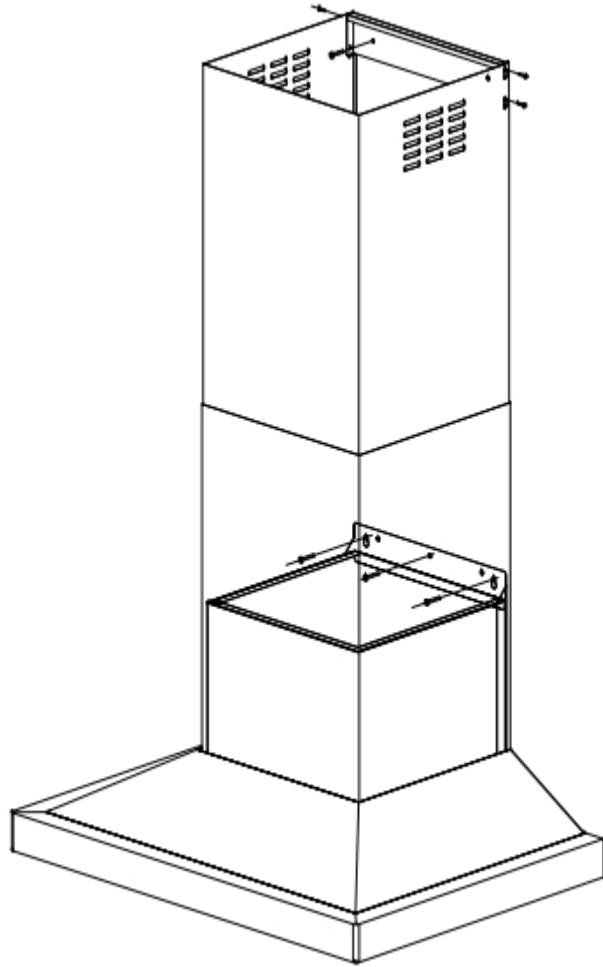
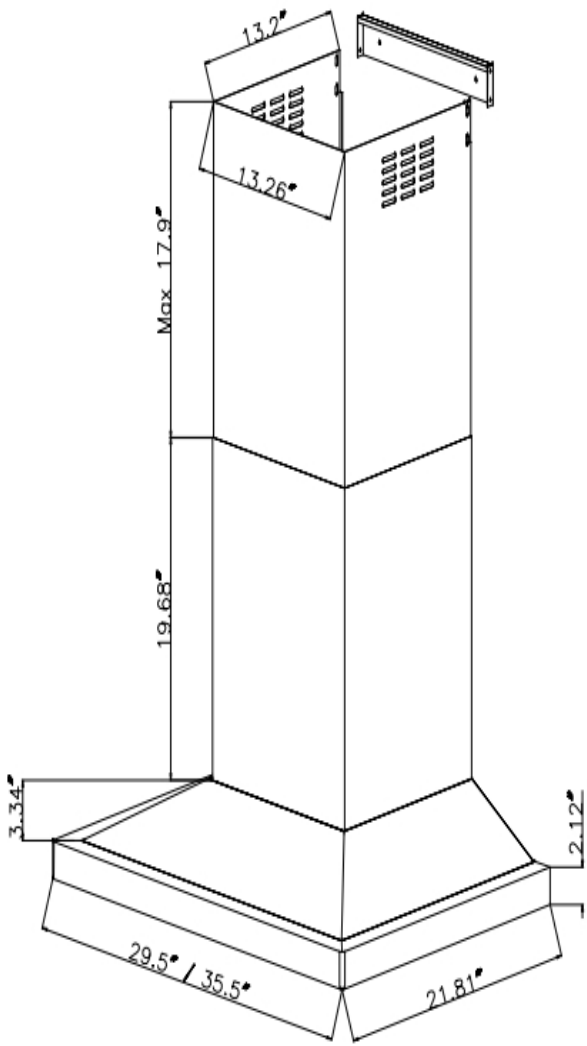


Necessary Tools

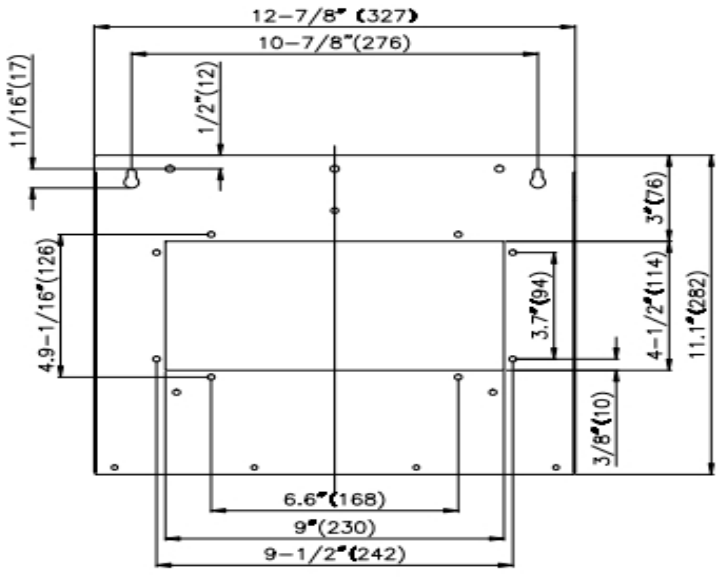
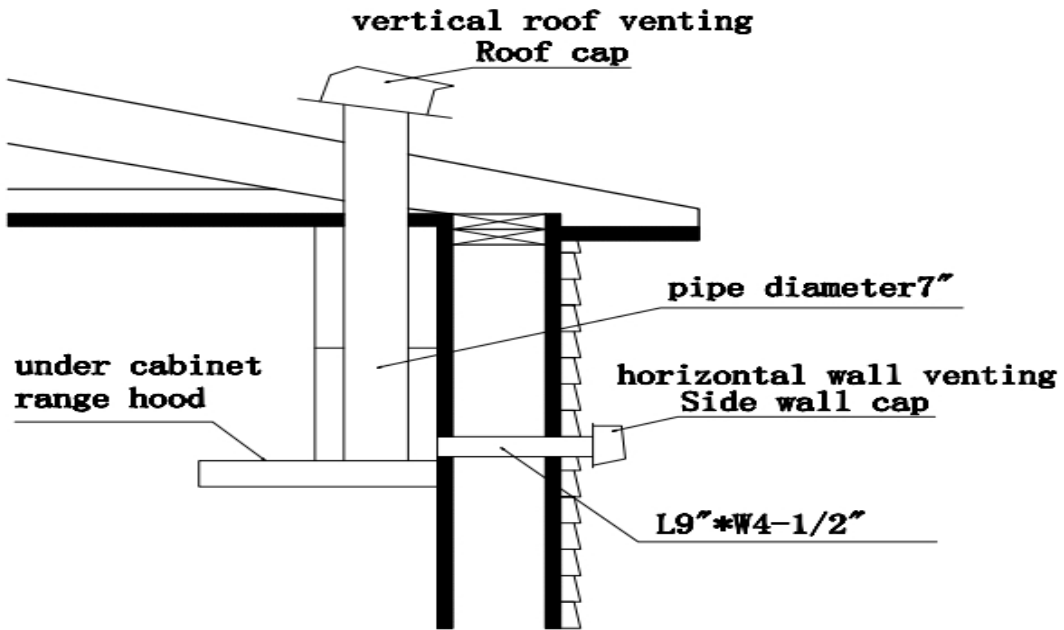


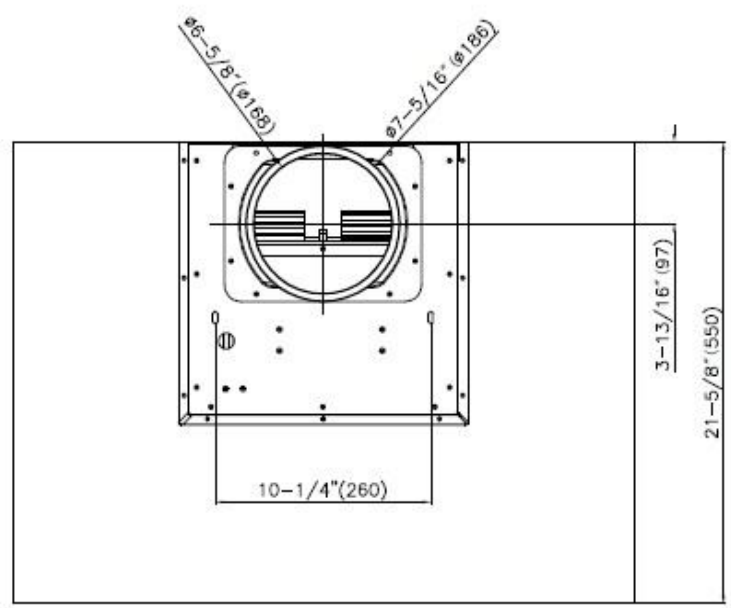
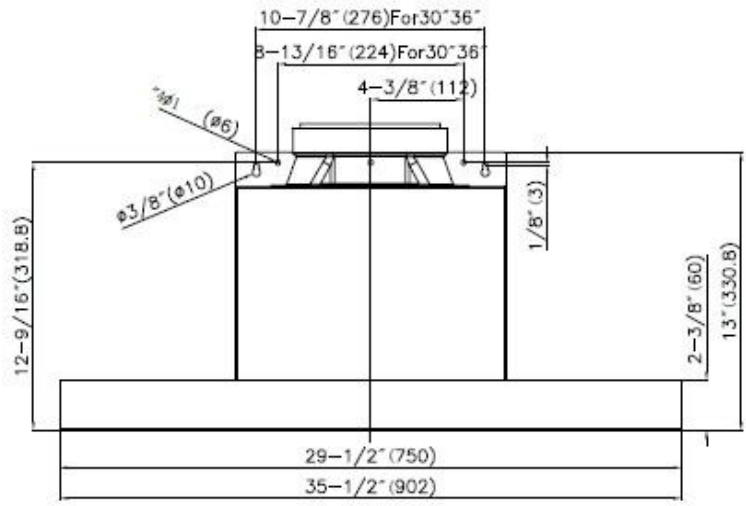


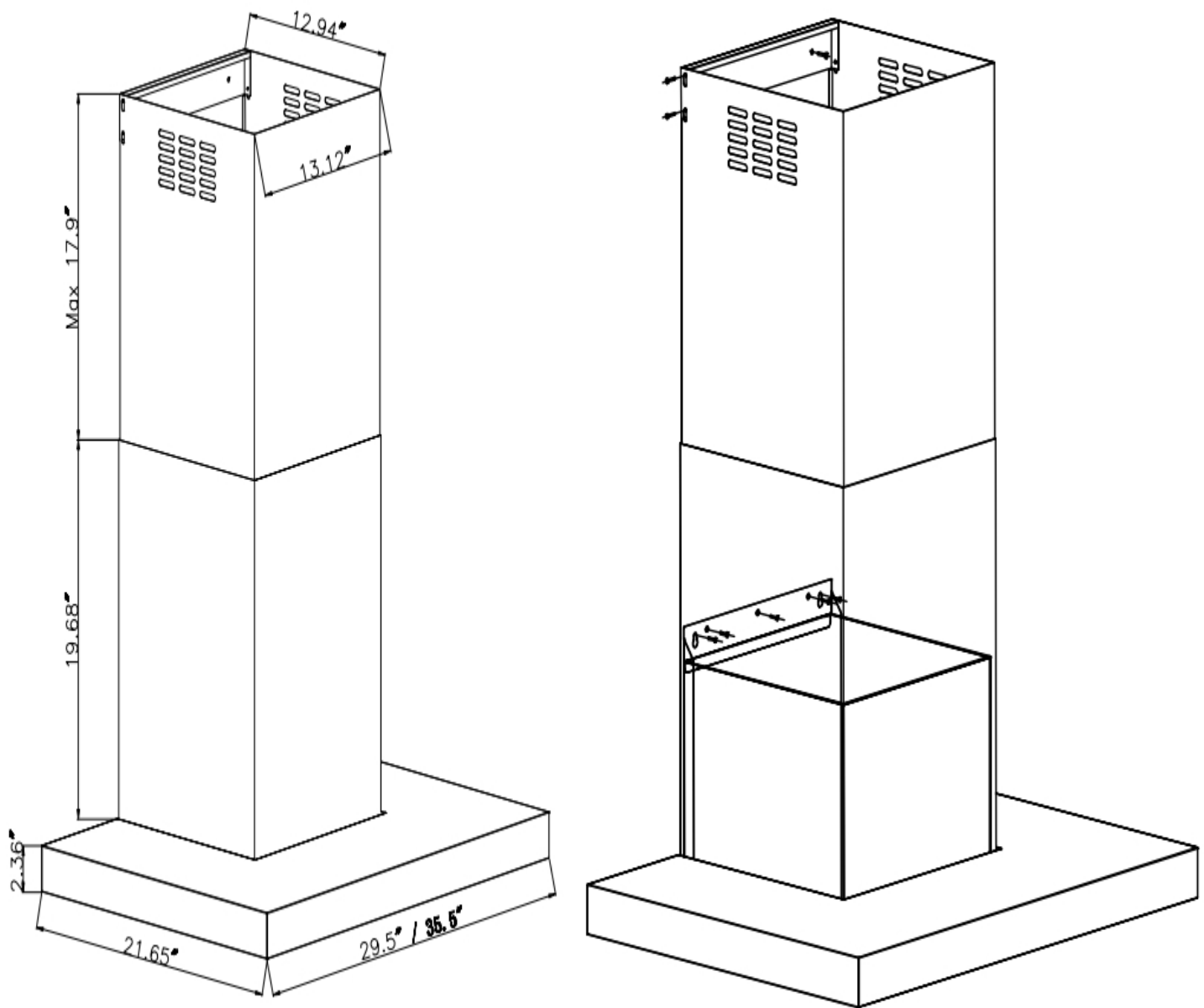


HRH3003U

Installation dimension figure of HRH3004U as below:







HRH3004U

Installation dimension figure of HRH3001U and HRH3002U as below:

Fix 6pcs screws(see figure 4) to the installation dead plate

Fix the installation dead plate to the wall by screws(see figure 5)

Use double-faced aluminum foil sealed-joint(see figure 6)

Power line color (black to black, white to white, green to green) (see figure 7)

Oil box of the hood (see figure 8)

Installation of clapboard filter screen (see figure 9)

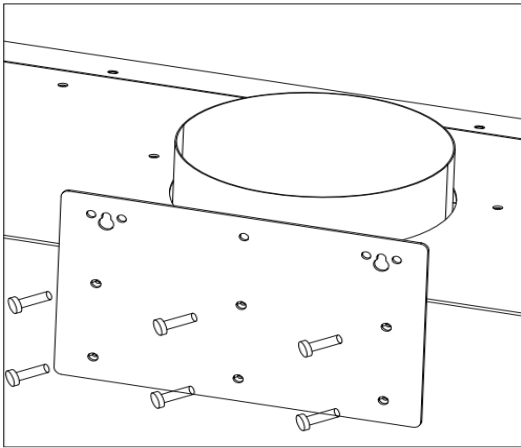


Figure4

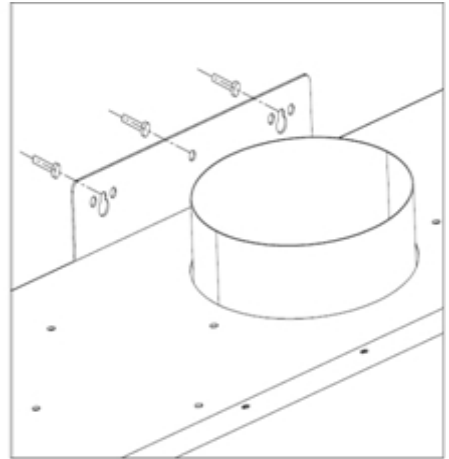


Figure5

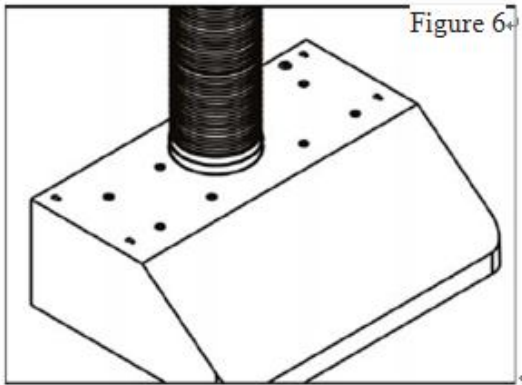


Figure 6

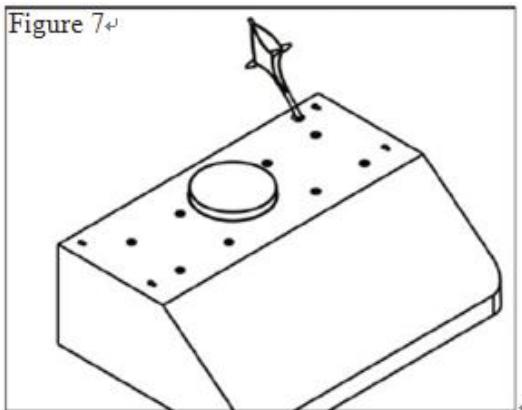


Figure 7

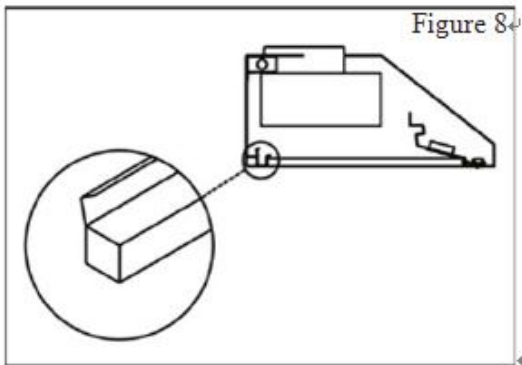


Figure 8

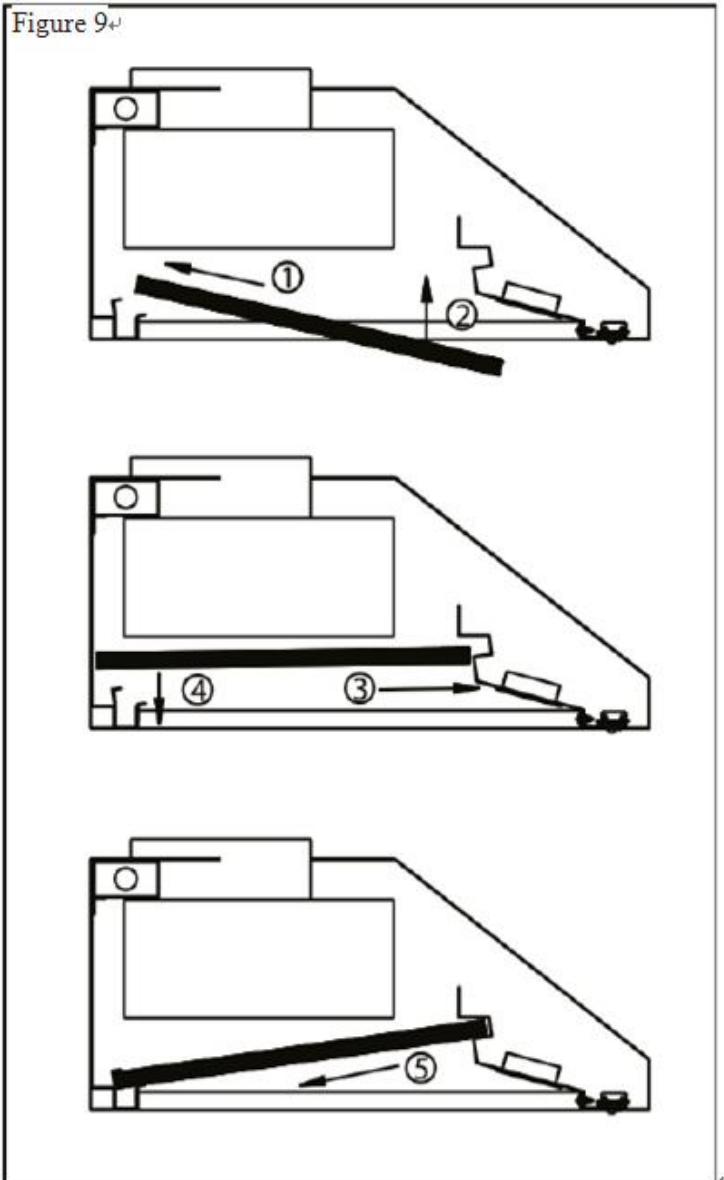
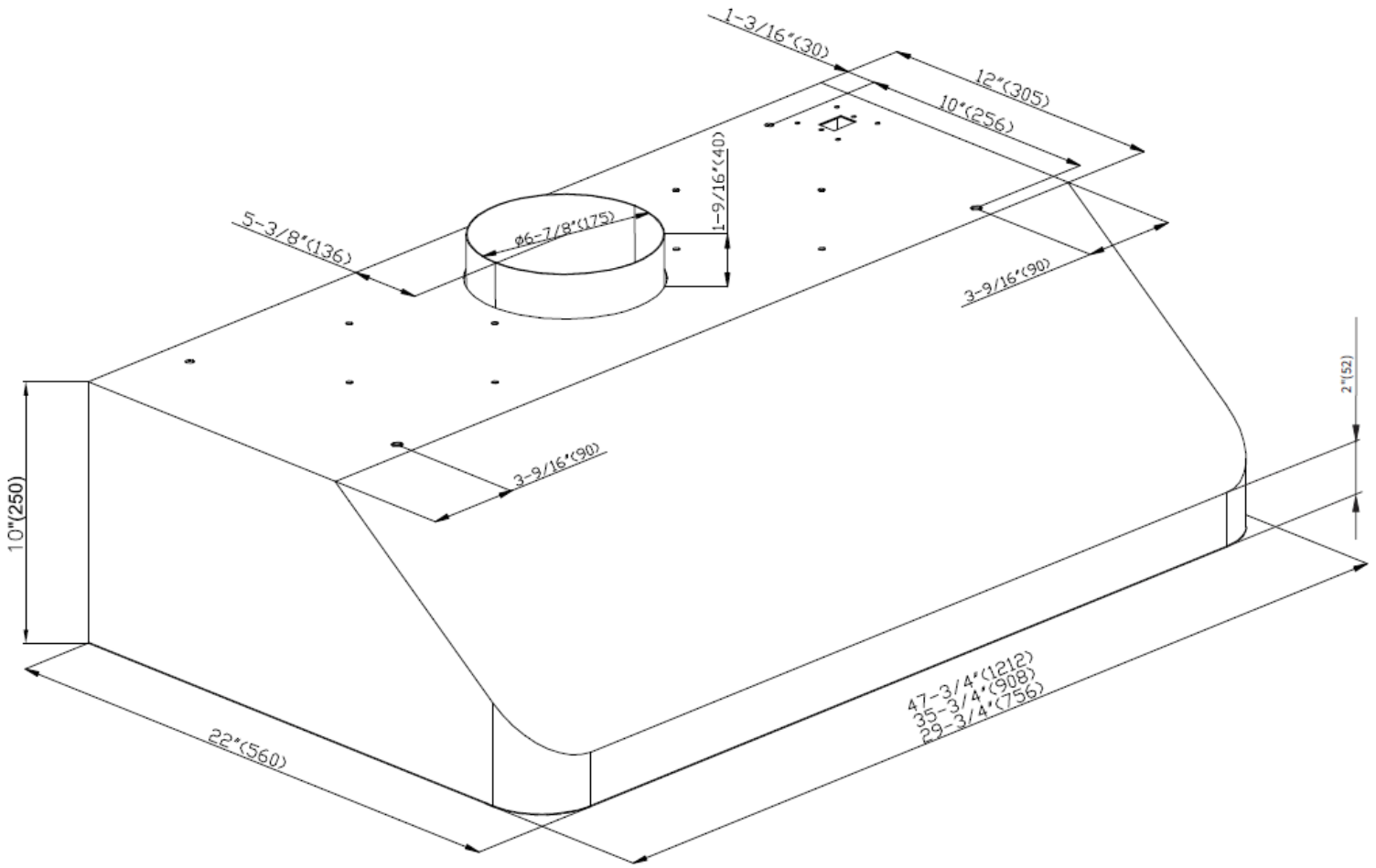


Figure 9



HRH3001U

HRH3002U

